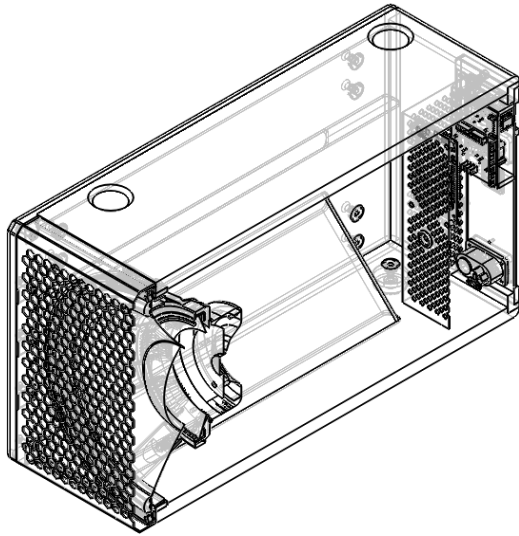


# WestLab Audio



## Product Data

### 12" IIR DSP System Sub

Series: LABLIVE

Model: LABLIVE 12

Dimensions H 335 x W 400 x D 600 mm

Local Box H 350 x W 435 x D 615 mm

Export Box H 410 x W 515 x D 660 mm

Net weight 21,5 kg

Export boxed 25,5 kg

---

Total System Power Sub Channel (RMS/Peak)	1000 / 1550 W
Max SPL (program)	125 dB
Max SPL (peak)	128 dB
Crossover Type	Full internal IIR DSP, USB controlled
Frequency Range Sub (-6 dB)	30 Hz - 120 Hz
Mid / High Out	2 x XLR Line out
Low Frequency Driver Chassis type	Cone driver, port loaded
Low Frequency Driver Magnet	Neodymium
Low Frequency Driver Chassis diameter	12" / 318 mm
Low Frequency Driver Voicecoil diameter	3" / 77 mm