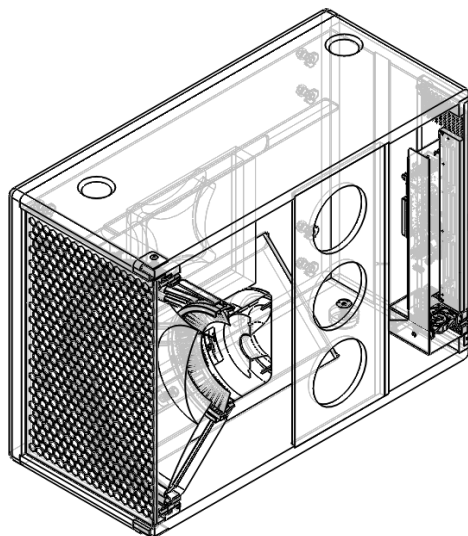


WestLab Audio



Product Data

15" IIR DSP System Sub

Series: LABLIVE

Model: LABLIVE 15

Dimensions H 450 x W 534 x D 600 mm

Local Box H 470 x W 570 x D 615 mm

Export Box H 525 x W 640 x D 670 mm

Net weight 40,5 kg

Export boxed 45,5 kg

Total System Power Sub Channel (RMS/Peak)	1000 / 1550 W
Max SPL (program)	129 dB
Max SPL (peak)	132 dB
Crossover Type	Full internal IIR DSP, USB controlled
Frequency Range Sub (-6 dB)	30 Hz - 120 Hz
Mid / High Out	2 x powered High / Mid out
Total Power Mid / High out	2 x 500 / 700 W into 4 Ohm
Low Frequency Driver Chassis type	Cone driver, port loaded
Low Frequency Driver Magnet	Neodymium
Low Frequency Driver Chassis diameter	15" / 388 mm
Low Frequency Driver Voicecoil diameter	4" / 101,6 mm